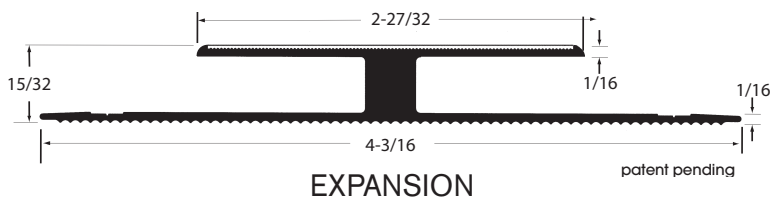




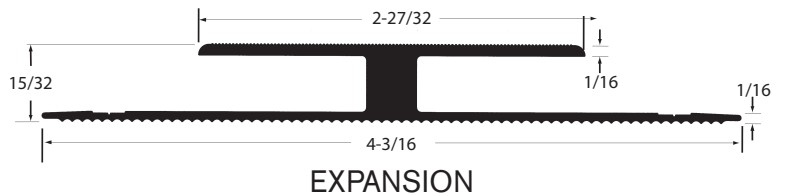
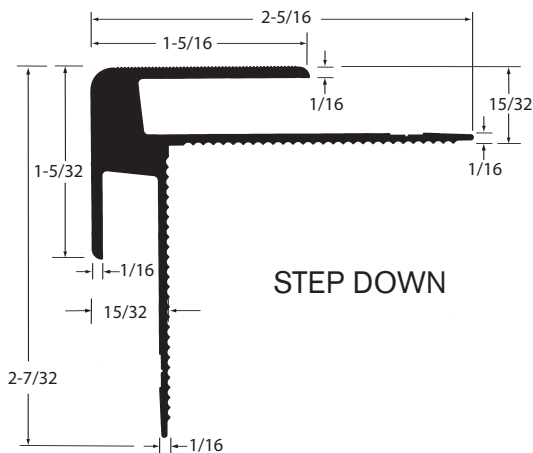
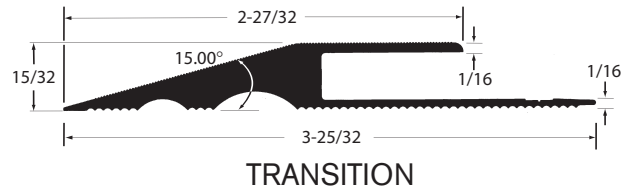
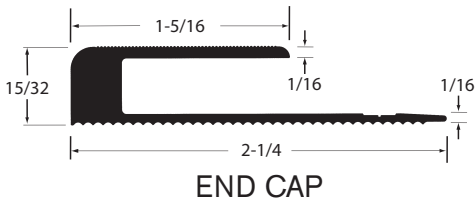
Molding Options

Matching Expansion Molding



Our exclusive exact match high-pressure laminate Expansion molding features a bronze aluminum body that can be bonded with any Contact™ design for a uniform appearance. Available in 8 ft. lengths.

Aluminum Moldings



Designed exclusively for use with Contact flooring, the aluminum moldings shown are available in 12 ft. bronze, black and clear strips. For further details and installation instructions, refer to the Tap-N-Lock™ Installation Guide.